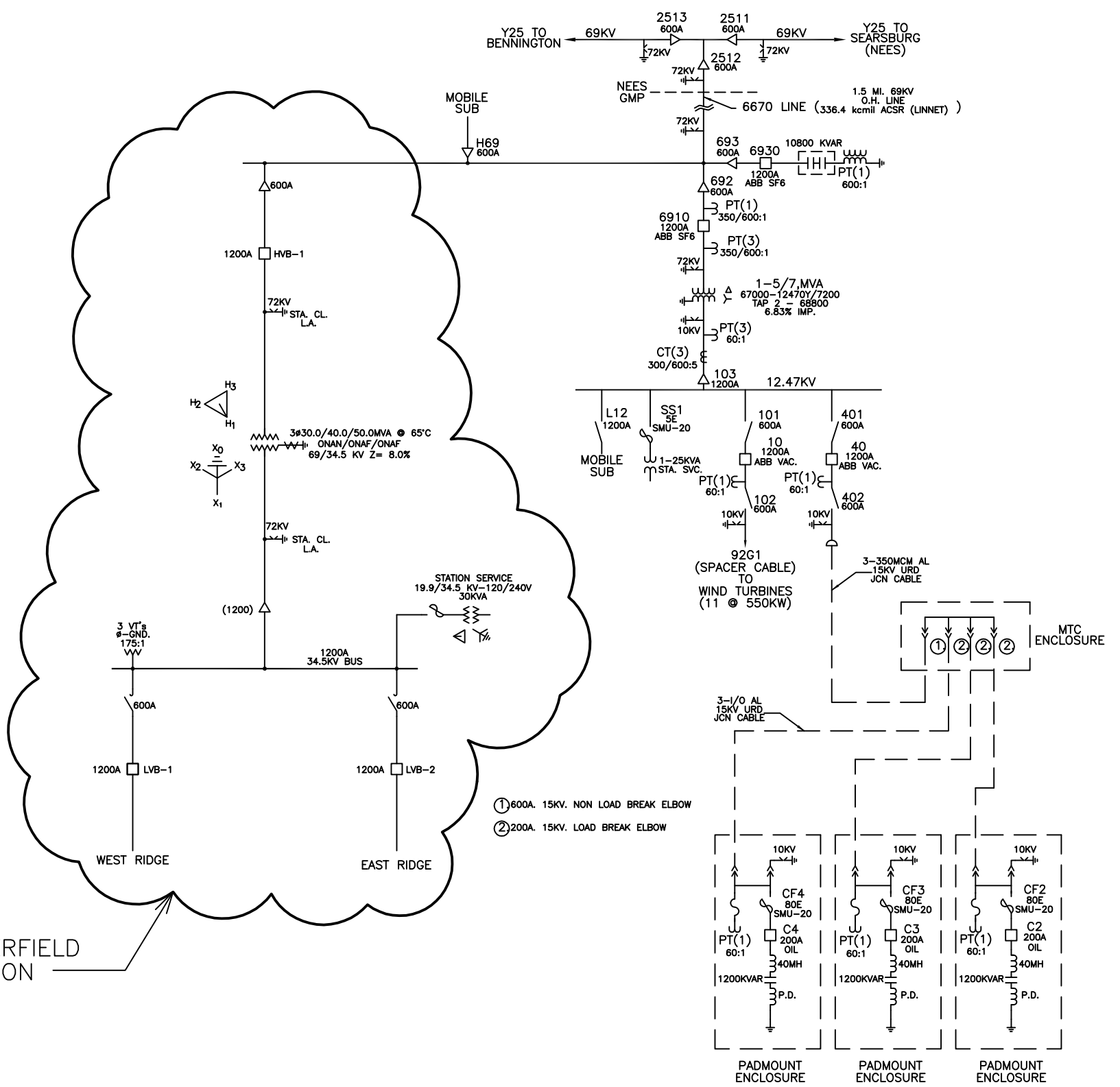


PROPOSED DEERFIELD WIND ADDITION



- LEGEND**
- AIR SWITCH
  - CIRCUIT BREAKER
  - SURGE ARRESTER
  - POWER TRANSFORMER
  - CURRENT TRANSFORMER
  - POTENTIAL TRANSFORMER
  - CAPACITOR
  - INDUCTOR
  - DISCONNECT
  - FUSED DISCONNECT
  - CABLE TERMINATION
  - SEPARABLE CONNECTION

- ① 600A. 15KV. NON LOAD BREAK ELBOW
- ② 200A. 15KV. LOAD BREAK ELBOW

NO.	REVISION	DATE	BY	CK	P.E. STAMPED BY	P.E. No.

CLIENT APPROVAL	DPE ENGINEERED	ONE LINE DIAGRAM PROPOSED SLEEPY HOLLOW S/S	Engineering & Environmental Consulting, LLC 249 Western Avenue Augusta, Maine 04330 SCALE N.T.S. DATE 03/10/08	REV.
	TMM DRAWN			11556-TEST.
APPROVED BY	CHECKED			
DATE	REVIEWED			